

# The LEDERER MEMORIAL TROPHY 1994

This year's field for the Lederer Memorial Trophy was the strongest for the last ten years. The field featured not only many of Britain's best, but also strong visiting teams from Holland (four of their world champions), Hungary and Ireland. Britain's own Junior European Champions were quickest off the blocks, but they were slowly overhauled, first by Great Britain and then by London, and were finally pipped for third place by the Naturals team, led by Demetri Marchessini. Great Britain showed the steadiest form, with all four players playing well, and were well-deserved winners. These were the final results:

	VP
1 <b>Great Britain</b> (Graham Kirby, John Armstrong, David Price, Peter Czerniewski)	275
2 <b>London</b> (Glyn Liggins, Andrew Dyson, Peter Crouch, Steve Lodge)	246
3 <b>Naturals</b> (Andrew Robson, Tony Forrester, Martin Hoffman, Demetri Marchessini)	215.5
4 <b>Junior European Champions</b> (Justin Hackett, Jason Hackett, Danny Davies, Phil Souter, Tom Townsend, Jeff Allerton)	212
5 <b>Netherlands World Champions</b> (Wubbo de Boer, Bauke Muller, Piet Jansen, Jan Westerhof)	195
6 <b> HOLDERS</b> (Richard Butland, John Reardon, Nicola Smith, Pat Davies, Ian Handley)	190
7 <b>Ireland</b> (Paddy Walsh, Rory Timlin, Hugh McGann, Tom Hanlon)	183
8 <b>Hungary</b> (Gyorgy Szalay, Gabor Winkler, Peter Lakatos, Geza Hommonay)	162.5

It was nice to see Forrester and Robson on British soil again, after their exploits in the United States. The following hand was runner-up in the best defence category. It features Hoffman and Forrester giving a Dutch World Champion the runaround...

*Love all; dealer North*

♠ AK42	♠ QJ96		♠ 85
♥ K52	♥ AJ108		♥ 643
♦ A107	♦ KQJ9		♦ 8532
♣ 854	♣ 10		♣ AQJ7
			♠ 1073
			♥ Q97
			♦ 64
			♣ K9632

West	North	East	South
Hoffman	Jansen	Forrester	Westerhof
	1♦	Pass	Pass
Double	Pass	2♣	Pass
Pass	Double	Redouble	Pass
Pass	2♦	All Pass	

Forrester's redouble was an attempt to muddy the Dutch waters. It succeeded; two clubs redoubled would have gone at least two off.

Forrester led a sneaky queen of clubs which held the first trick then switched to the eight of spades. Hoffman won the

king of spades and continued clubs. North had little choice but to let this run and Tony won his ace of clubs. Now the defence played a second round of spades to the ace, spade ruff, diamond to the ace and a fourth round of spades which Forrester was able to ruff with the eight of diamonds. So far the defence had seven tricks, and East still had a diamond with which to exit so that declarer was end-played to concede a heart. Three off and 150 points was a fine score for East-West.

The best-bid hand prize was awarded to Martin Hoffman and Demetri Marchessini of the Naturals team for the following simple auction to slam:

*North-South game; dealer North*

♠ J852	♠ AQ10964		♠ K3
♥ KQ3	♥ A2		♥ J1054
♦ 9854	♦ J		♦ KQ763
♣ Q2	♣ AK76		♣ 103
			♠ 7
			♥ 9876
			♦ A102
			♣ J9854

North	South
Hoffman	Marchessini
2♠	2NT
3♣	6♣
Pass	

North, Martin Hoffman, opened a strong two spades and South, Demetri Marchessini, bid 2NT negative. Now North's three-club bid showed his second suit and Marchessini wasted no time in bidding the slam.

Four diamonds from Marchessini might have been a more accurate bid at his second turn, but would have betrayed the heart situation. In fact, on a diamond lead the slam is superb—and made thirteen tricks. Even with a heart lead it will make most of the time the queen of clubs falls in two rounds, and even without that there are some chances.

Some might argue with the two-spade opening, but North can see that game could be lay-down opposite as little as jack to four spades—and it might be passed out, as it was at another table.

In fact the hand was played in a part-score at three tables, whilst three others played in five clubs and one in four spades. This was the only time slam was reached—a triumph for natural bidding!

The organising committee also give an award of a bottle of ten-year-old Macallan Whisky to the reporter of the most humorous incident. This was given to Tournament Director John Probst for reporting a comment made by Martin Hoffman. Probst related how he entered one of the playing rooms to announce how the time for the round was passing.

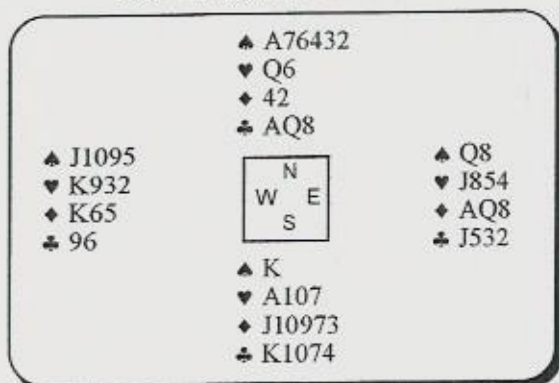
Probst: "Gentlemen, you have thirty minutes remaining in this round."

Hoffman (in plaintive tone): "But I still have one board to play!"

The prize for best defence was actually taken by John

Armstrong for this intelligent switch in Great Britain's match against the holders:

East-West game; dealer South

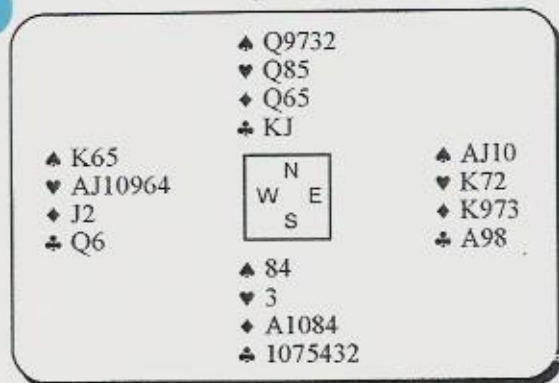


West <i>Kirby</i>	North <i>Smith</i>	East <i>Armstrong</i>	South <i>Davies</i>
Pass	1♠	Pass	2♦
Pass	2♠	Pass	2NT
All Pass			

Graham Kirby led the two of hearts to the jack, won by declarer with the ace. Pat Davies felt that instead of just relying on the club guess, she should give herself the chance of the spade break as well. She played the king of spades, then a club to the queen and a small spade to Armstrong's queen. But now John seized his chance—he played a club! This completely wrecks communications, whatever Pat decides to do. In practice she won the ace, cashed the ace of spades and guessed correctly to finesse in clubs. But now when she played a heart Graham Kirby was able to cash a second spade and three diamonds for one down. If the ace of spades is not cashed it never makes, and any other play in clubs also leaves declarer a trick short.

The award for the best-played hand was won by Glyn Liggins of the London team, for the second time in three years. This was the hand:

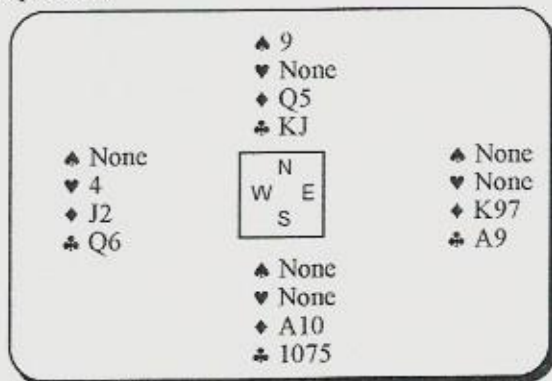
North-South game; dealer West



West	North	East	South
1♥	Pass	2♦	Pass
2♥	Pass	2♠	Pass
2NT	Pass	3♥	Pass
4♥	All Pass		

Liggins was West, and opened a natural one heart. Two diamonds was game-forcing, and two spades asked for further information. 2NT was natural with six hearts and three hearts committed the partnership to that strain. The excellent 3NT played by West was thus difficult to reach.

Declarer received a helpful spade lead, but still had a lot of work to do. He cashed two top hearts and got the bad news. He continued by cashing the spades before exiting in hearts. North, Marchessini, was able to exit with a fourth spade which was ruffed by West. Now Liggins cashed another trump to leave this position:



The last heart was now played and North could not afford a club or diamond, so threw his last spade. A diamond was discarded from dummy and now South had a problem. He chose to throw a club rather than bare his ace of diamonds, which would have allowed Liggins simply to establish a diamond winner. Now two rounds of clubs gave North the lead. He had no choice but to try a small diamond—but Liggins hadn't come this far to get this wrong!

Happenings at the other table were amusing. Tony Forrester played 3NT after the natural auction 1♥—3NT—Pass, and received a club lead to the queen and king. Forrester ducked, where winning would have been more fortuitously successful. He then had no choice but to win the next club, because a diamond switch would automatically beat the contract. Declarer is still fine if he guesses the hearts, but Forrester played the king of hearts and a heart to the jack. North switched to a diamond and Forrester rose with the king, hoping North had led away from the ace. South won and the defence were able to take five clubs, a heart and four diamonds for six off. When was the last time you went that many off in a freely bid game with 25 points and a good 6-3 fit?



The launching ceremony, with Christine Duckworth second from left and G C H Fox in the centre.

### The G C H Fox Lifeboat

Funds raised from the 1994 Charity Challenge Cup were put towards the cost of a third D Class Lifeboat, named the *G C H Fox* in acknowledgement of Foxy's lifelong contribution to bridge. For Christine Duckworth, this was her third launching ceremony, the previous two being for the *Jill Gatti* and *Palmer Bayer* Lifeboats. Over the three years more than £55,000 has been raised, and Christine was surprised and delighted to receive, on behalf of Better Bridge in Britain, a plaque from the RNLI in appreciation of the fund-raising effort.